

16-AR / 16-ARC

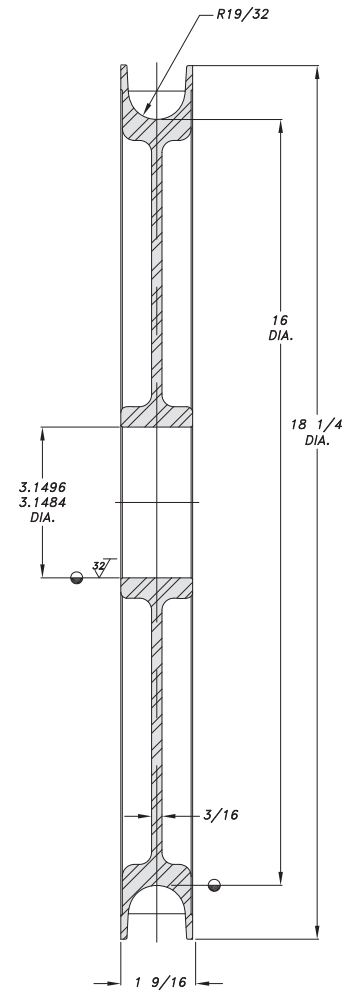


iSHEAVES

16" CAST ALUMINUM SHEAVE

Part Number = 16-AR (imcoated)
16-ARC (with hard coating)
Overall Diameter: 18"
Root Diameter: 16"
Ceramic Hard Coat: Optional
Groove Type: Round 1-3/16" dia.
Overall Width: 1-1/2"
Max Cable Dia: 1-3/16"
Weight w/Bearing: 10 lbs 13 oz

Bearing options: 80 mm OD
40 mm 5208-2RS Double row sealed (Std)
40 mm 6208-2RS Single row Sealed (2)
40 mm SS-6208-2RS Stainless Single row Sealed (2)
50 mm 6010-2RS Single Row Sealed (2)



16"

